

Flyin Mini CWDM Mux/Demux module

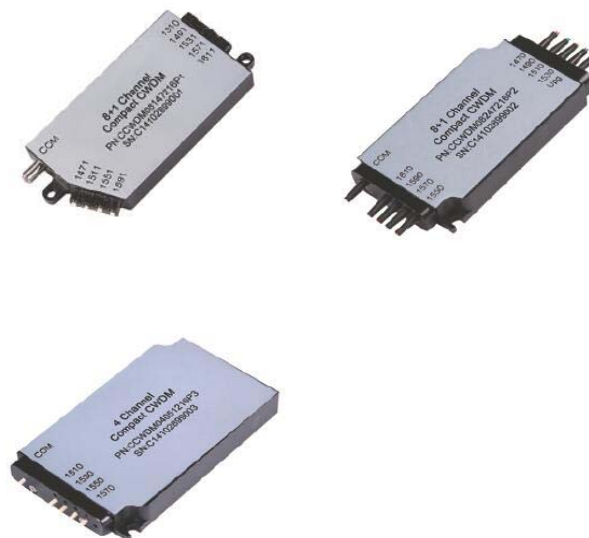
Flyin's Mini size Coarse Wavelength Division Multiplexers(Mini CWDM, MCWDM), are integrated optical modules using Flyin's proprietary optical bench platform which can significantly improve optical performance, while also reduce manufacturing costs. Compare to the common standard CWDM module, Flyin's Mini CWDM takes much smaller package size. Much space can be saved in the application and meanwhile the performance and parameters are much better. All Flyin's CWDM modules are Telcordia qualified.(Meet TELCORDIA GR-1221-CORE)

Features

- Mini Size
- High Reliability
- Low Insertion Loss and Better Uniformity
- Ultra High Thermal Stability
- Epoxy-Free in Optical Path
- RoHS Compliant

Applications

- CWDM System
- CATV System
- Network upgrading



Specification

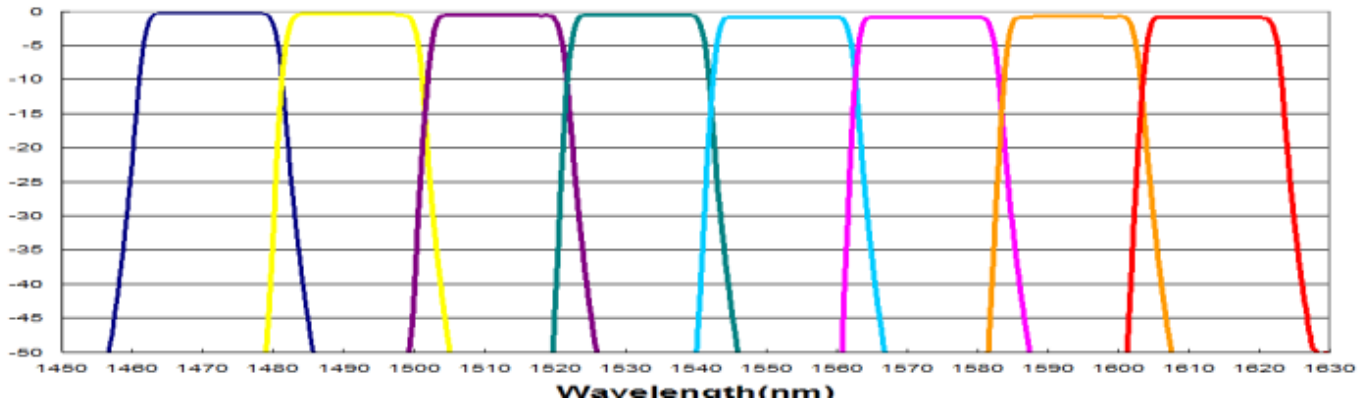
Parameter	Values				
Channel Number	4	8	8+E1	8+E2	
Central Wavelength (nm)	1270, 1290...1610 or 1271, 1291...1611				
Channel Spacing (nm)	20				
Passband (nm)	Channels	+/-6.5			
	Upgrade port	1310+/-50		1260~1457	
Isolation (dB)	Adjacent Channel	>30			
	Non-adjacent Channel	>40			
	Upgrade port	>15			
Insertion Loss (dB)	Channels	1.0	1.5	1.6	1.8
	Upgrade port			1.2	1.2
Channel Ripple (dB)	<0.3				
Fiber Type	Corning SMF-28 with 900mm loose tube				
Polarization Dependent Loss (dB)	<0.15				
Polarization Mode Dispersion (ps)	<0.1				
Directivity (dB)	>50				
Return Loss (dB)	>45				
Maximum Power Handling (mW)	500				
Operating Temperature (°C)	-5 ~ +70				

Storage Temperature (°C)	-40 ~ +85
Package Dimension (mm)	P1: L44 x W25 x H6 P2: L53.8 x W28 x H8 P3: L54 x W32 x H7.4

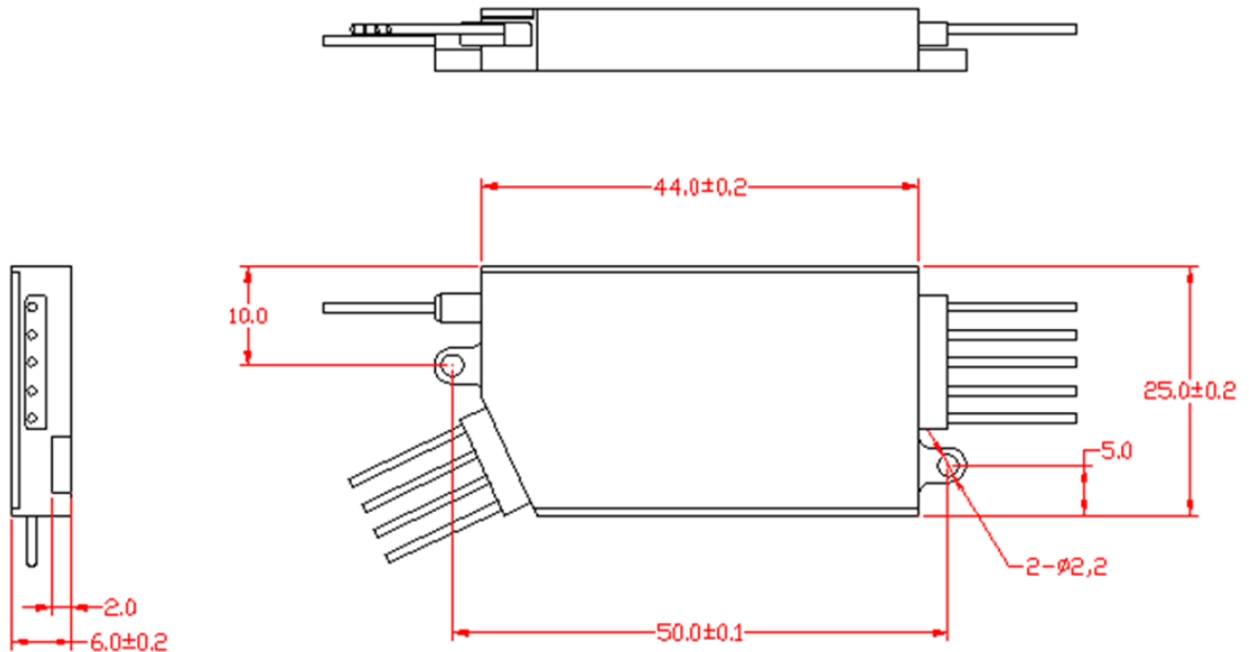
Note:

1. Above specification are for device without connector.
2. P1, P2: Fibers egress on both side; P3: Fiber egress on one side.

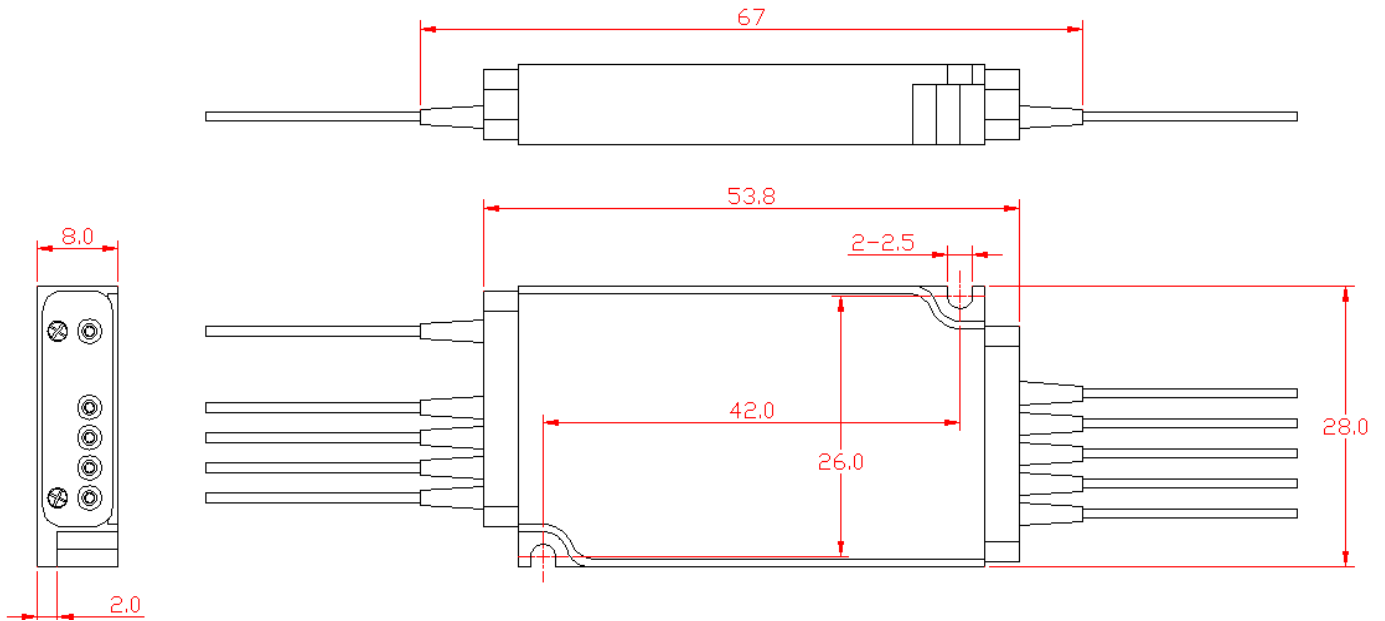
Typical Spectrum



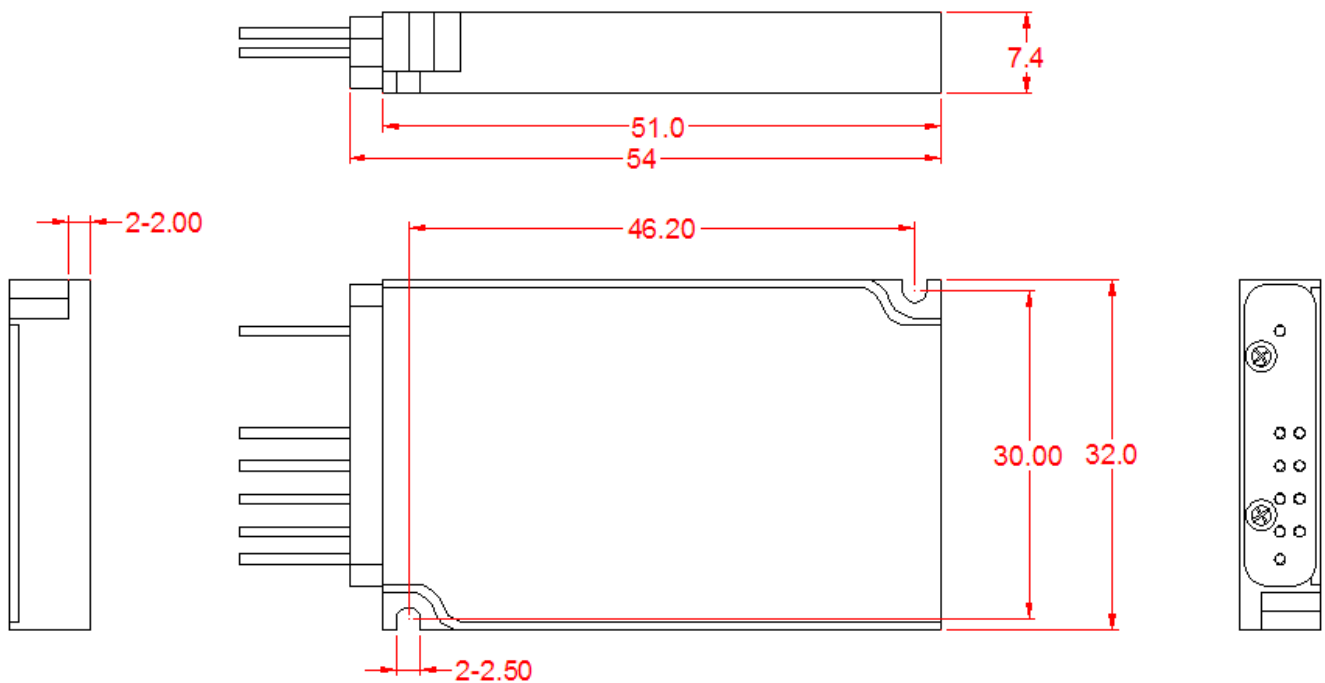
Package Dimension



P1: L44 x W25 x H6



P2: L53.8 x W28 x H8



P3: L54 x W32 x H7.4

Ordering Information

MCWM	XX	X	XX	X	X	X	XX
	Number of Channels	Express Port	1st Channel	Fiber Type	Fiber Length	Connector	Package Type
	04=4 Channel	0=None 1= 1310	27=1270nm	1=Bare fiber 2=900um loose tube	1=1m 2=2m S=Specify	0=None 1=FC/APC 2=FC/PC 3=SC/APC 4=SC/PC 5=ST 6=LC	P1=44x25x6 P2=53.8x28x8 P3=54x32x7.4
	08=8 Channel	2=	47=1470nm				
	(+/-50nm)	49=1490nm				
	N=NChannel	S=Special	61=1610nm SS=special				