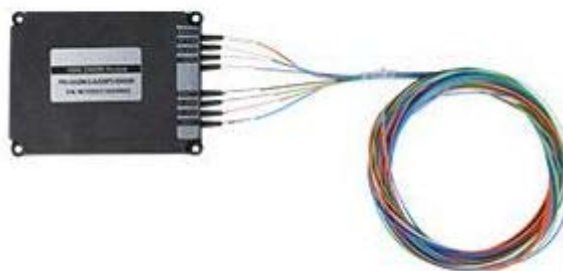


## 100G, 200G DWDM OADM Module (4,8-Channel)

Flyin Optronics 100GHz/200GHz wavelength multiplexer(100,200G DWDM OADM Module) utilizes thin film coating technology and proprietary design of non-flux metal bonding micro optics packaging to achieve optical add or drop at a ITU wavelength. It provides ITU channel center wavelength, low insertion loss, high channel isolation, wide pass band, low temperature sensitivity and epoxy free optical path . It can be used for wavelength add/drop in telecommunication network system.

### Features

- ITU channel spacing
- Low insertion loss
- Wide pass band
- High Channel Isolation
- High Stability and reliability
- Epoxy-free on Optical Path
- Access Network



### Applications

- Channel Add/Drop
- DWDM Network
- Wavelength Routing
- Fiber Optical amplifier
- CATV fiber optic System

### Performance Specifications

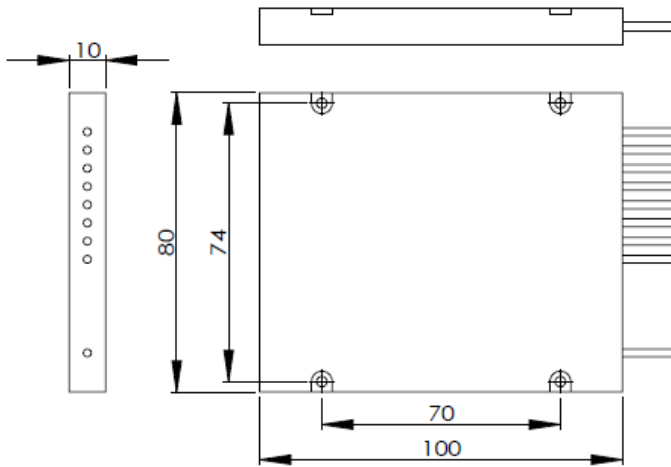
Parameter	4 Channel		8 Channel		
	Add	Drop	Add	Drop	
Channel Wavelength (nm)	ITU Grid				
Channel Spacing (GHz)	100/200				
Channel Passband (@-0.5dB bandwidth (nm))	>0.22 (100G) / >0.5(200G)				
Insertion Loss (dB)	In---Drop@drop	2.0	3.2		
	Add---Out@add	2.0	3.2		
	In---out@other	2.5	5.0		
Add/Drop Channel Ripple (dB)	<0.3				
Isolation @Add/Drop Channel	Adjacent	N/A	>30	N/A	>30
	Non-adjacent	N/A	>40	N/A	>40
Insertion Loss Temperature Sensitivity (dB/°C)	<0.005				
Wavelength Temperature Shifting (nm/°C)	<0.002				
Polarization Dependent Loss (dB)	<0.1				
Polarization Mode Dispersion (ps)	<0.1				
Directivity (dB) (Input to add, Output to drop, add to drop)	>50				
Return Loss (dB)	>45				
Maximum Power Handling (mW)	300				

Operating Temperature (°C)	-10~+75
Storage Temperature (°C)	-40~+85
Package dimension (mm)	A: L100 x W80 x H10 B: L120 x W80 x H18 C: L141 x W115 x H18

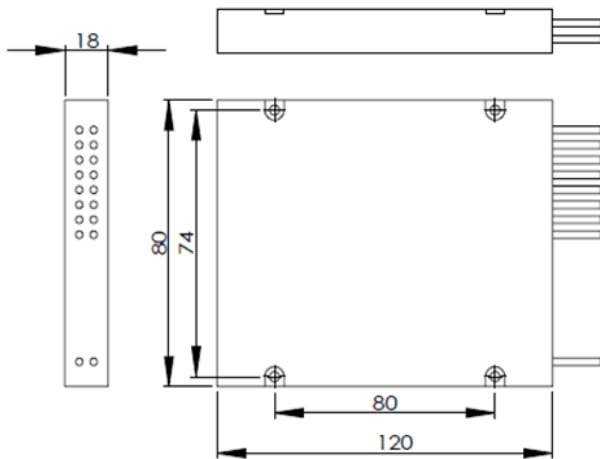
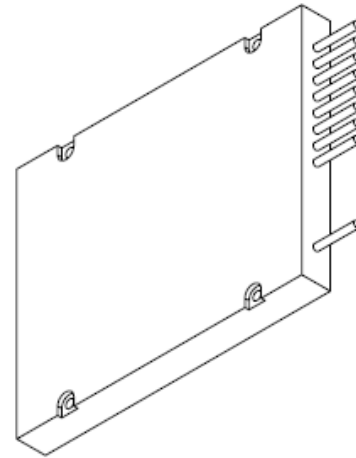
Specification may change without notice.

Above specification are for device without connector.

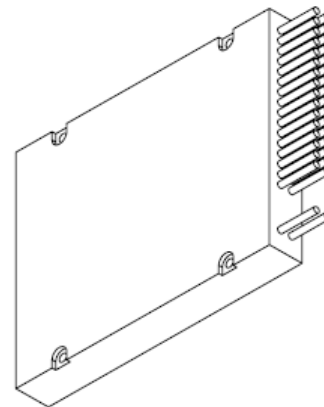
## Package Dimension

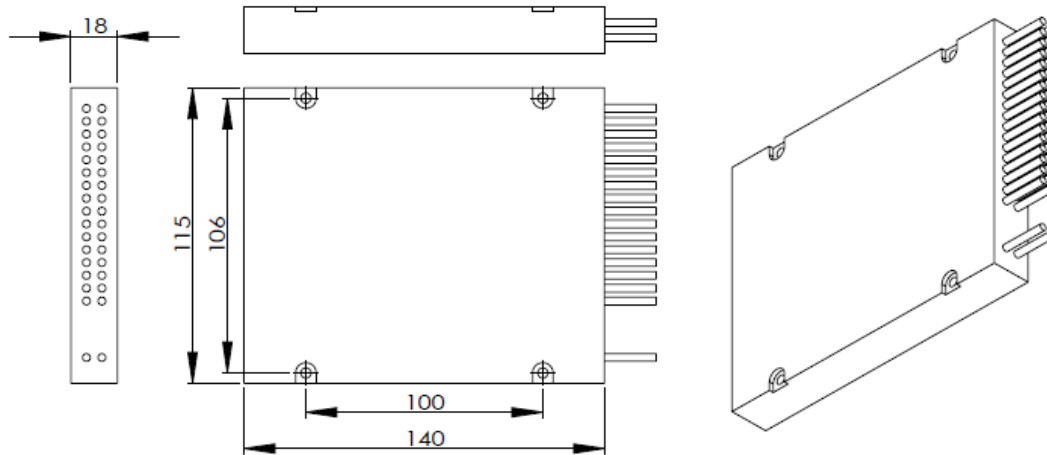


**A: 100X80X10 ABS box**



**B: 120X80X18 ABS box**





**C: 140X115X18 ABS box**

### Ordering Information

OADM	X	XX	XX	XX	X	X	XX
	Channel Spacing	Number of Channels	Configuration	1st Channel	Fiber Type	Fiber Length	In/Out Connector
	1=100GGrid 2=200GGrid	4=4CH 8=8CH	44=4x4 Add and Drop 8=8x8 Add and Drop	21=CH21 ..... 34=CH34 ..... 50=CH50 .....	1=Bare fiber 2=900um loose tube 3=2mmCable 4=3mmCable	1=1m 2=2m	0=None 1=FC/APC 2=FC/PC 3=SC/APC 4=SC/PC 5=ST 6=LC